

Upcoming Bonsai Events

March

March 14th
**NO CLUB
MEETING. SEE
MARCH 16th**

March 16th
Club Meeting, L/D
with Evan Pardue,
Café College, 9:30-
11:30am

March 16th
Evan Pardue
Workshop at Café
College, 1:15-
3:30pm

April

April 4th
Club Meeting,
Workshop with
Young Choe on
Kusamono, Lion's
Field, 6:30pm

**Additional
March/April events
listed on Page 5**

All above meetings are
held at the Lion's Field
Center 2809 Broadway,
SATX 78209 (unless
otherwise noted)



In this issue...

President's Message **P.1**

Vice-President's Message **P.2**

Photos/Recognitions **P.3**

Bonsai Funnies **P.3**

Monthly Tips **P.4**

Other News **P.6**

President's Message by Conrad Gamboa, cgamboa013@gmail.com

SABS members, do you want to know the two best ways to sharpen and care for your tools? The first is to attend a class like the one that Joey McCoy provided in February; the second, bring your dull, broken tools that need fixing, sharpening, and adjusting and have Joey work on them for you (purely as an example on how to do it)! Our many thanks to Joey and the volunteers that offered their tools to be examples of how to sharpen and fix tools that need fixing. For those of you who couldn't attend, our VP, Gabe H., filmed it and will be providing the link to that video for all of our SABS members. In addition to the video, Joey made a couple of diagrams that we can follow when we want to work on our shears and cutters. You will find those instructional diagrams within this newsletter, so please enjoy and work on those tools as trimming season is just around the corner.

In other news, SABS held three digs in the month of February and everyone who attended walked away with several trees. In all, over 75 trees were collected in the month of February. There were multiple species that were collected, some of which are: Ash Junipers, Texas Persimmons, Cedar Elms, Cactus, Live Oak, rocks, driftwood, and a whole lot more. That makes for a lot of inexpensive material to work on over the next 10 – 20 years!

In other news, I want to announce that we have decided to wait on holding our local Bonsai Convention until after the 2025 LSBF Corpus Christi/San Antonio Convention.

This will give us the opportunity to focus on making the 2025 Convention a tremendous success. Ryan O. and David W. are still looking for volunteers to help support several committees and sub-committees. If you are interested in helping, please contact David, Ryan, or myself, and we will get you the information you need.

Lastly, with the 2024 year off to a solid start, I want to remind everyone that your participation and input go a long way to making this year successful. Please help with taking care of the food at our

President's Message continued on Page 6.



Please
Welcome our
Newest
Member(s)

Chip E.
Karthik V.

*Those considering
joining SABS may
attend a free meeting.
Membership forms
available at each
meeting and on
website.*

Congratulate
these Members
on their
Membership
Anniversary in
2024

5 years

Conrad, Joe,
Gloria, &
Veronica

10 years

Leydana

15 years

Evelyn, Roberto,
Alberto, & Virgie

20+ years

Jay, Kevin,
Hattie, Donna,
Chuck, Pat,
Alfred, David,
Dawn, Paul, &



Vice-President's Message

by Gabe Hernandez,
gabriher@gmail.com

It's finally March and time is flying! Spring is just around the corner! If you haven't finished repotting, better step it up! If your tree has already leafed out, then it's too late to repot. If the tree hasn't leafed out, you still have time to repot. I sometimes do a small scratch on the bark to see if the tree is green and alive on the trees that haven't leafed out. Don't forget to secure your tree with wire so the wind doesn't knock it out of the pot. I place my trees in morning sun and shade for the rest of the day. Fertilize your tree three weeks after repotting and place your trees in full sun. Feel free to ask another member or our Facebook page if you have any questions.

Our March 16th guest is Evan Pardue of Underhill Bonsai in Folsom, Louisiana. Pardue is also the founder of Little Things for Bonsai People podcast where he gives advice and talks to other bonsai artist! Evan will be working on a Chinese cork bark elm during our meeting, and we will have a raffle after the meeting. We have secured 10 members to work with Evan after the lecture/demo.

For those that couldn't sign up, but need help with your tree, feel free to bring it and other members can help you out. You are also welcome to watch and listen as Evan helps in his workshop, but please remember to not ask questions or interrupt Evan and the workshop member, as they have paid to work with Evan.

Reminders:

Don't forget to sign up to host snacks and beverages for our main monthly meetings. We would like to have two members donate. Please get with Joe H. to find a date that works with you! The club provides plates, plasticware, cups and ice!

We would like two members to bring trees to display and talk about them so other members can see the progress you have made! New members are encouraged to participate.

Feel free to bring old pots, books or young trees you would like to donate for our raffles during the monthly meetings. We appreciate the help as it helps us raise money for future artists and events.

On deck:

April is going to be a busy month! We will be having three Kusamono workshops with artist Young Choe limited to 10 people per workshop. We will be sending out a genius for members to sign up and learn from Young. Our member, Karin K., will be providing her amazing pots for the Kusamono workshop with Young. Many thanks to Karin for her talent and work!

Vice-President's Message continued on Page 6.

Monthly Food/Bev. Hosts

March

Kevin P., Hattie P., & Vicki A.

April

Bruce B. & Joe H.

2024 Soil/Book Sale



Club Soil
\$25/five gal.



APL Soil
\$75/five gal.



Care Book \$30

Email Ryan O. at bonsaiode@gmail.com for details



Photos/Recoanitions

Photos from February's Yamadori Collecting Trips.



Bonsai Funnies



Monthly Tips by David Whitaker, redhawkbonsai@yahoo.com

Winter has come late again and hadn't wanted to let go; we've had some pretty cold weather for February. Regardless of the frigid temps, some of our deciduous have started to bud. And speaking of budding.... have you started repotted your bald cypress, elms, and other deciduous trees? It may be getting too late if there are signs of new growth. The best time to root prune/repot deciduous trees is right before the buds open, you have to watch them closely and you can see them open within a couple weeks, some can open in just a few days. Repotting and root pruning can be done for these, just remember to protect them from any excessively cold weather we may still get. It's not recommended to root prune any deciduous trees that the buds have already leafed out. If you must repot any with due to problems with a tree that has leafed out, put it in a larger pot with fresh soil, do not prune the roots. These types of trees have very tender roots at this time of year. Yes, I've heard that people have root pruned deciduous trees (doing a leaf defoliation also) during the growing season... and it is possible to do so and have the tree live, but it's risky. We want the best chance to have the trees survive the shock of root pruning.

Junipers can be repotted any time during March through June. You can start repotting your broad leaf evergreens (holly, boxwood etc.). It's too early in the season to root prune/repot your South Texas natives, tropicals and semi (sub) tropicals. We should wait until the lowest temperature of the day/night stays above 65-70 degrees for repotting South Texas natives and semi (sub) tropicals (Ficus, figs, Barbados and Surinam cherry Texas ebony and other natives). Tropicals should be repotted in midsummer (Neea buxifolia, Fukien tea, Bahama Black Olive, Buttonwood, and Wrightia Religiosa, to name a few).

March and April are usually windy so, watch the soils every day so they don't dry out. When you repot, be sure to wire the tree securely in the pot to give it good stability against the winds. Putting rocks on top of the soil for a while can also help brace the tree. With spring (hopefully!) right around the corner, the bugs will be coming out in droves soon. Inspect the bonsai from top to bottom, also inspect the drain holes. Inspect for ANY and all insects and treat accordingly. I try to spray with insecticide and apply fungicide at least once every 4 weeks (these can sometimes be mixed with liquid fertilizers). If you discover an infestation treat according to the label of the pesticide. Watch your training wires, so they will not cut into the branches.

Flowering trees are either setting buds or are already starting to bloom. Feed them regularly with a good blooming fertilizer, one that has a high phosphorus number. Feed others with a Peter's 20-20-20. The rule in fertilizing is, if its growing then you can fertilize.

Spider mites are very tiny bugs (about this size > . <) and will kill your trees before you know that they are there! I've always used a **preventive insecticide and fungicide treatment every 4 to 6 weeks during the growing season.** With indoor growing, insect inspection and **prevention** is ongoing year around.

Bonsai Term(s) of the Month

Banyan

- a tree w/ dramatic, exposed roots growing from branches/trunk that reach down to the soil.

Chokkan

- formal upright

Fukinagashi

- windswept

Han Kengai

- semi-cascade

Hoki Dachi

- broom

Ikadabuki

- raft

Kengai

- cascade

Literati

- tree with tall, slender trunk, no lower branches, and sparse foliage confined to the top of the tree.

Moyogi

- informal upright

Shakkan

- slanting

Redhawk
BONSAI



Cultivating Bonsai Since 1976

Nursery Floral Class 2 Lic #0822998

DAVID WHITAKER

Lone Star Bonsai Federation Artist
Lecture-Demos & Workshops

South Texas Bonsai Kai Founder
3rd Saturday of September

San Patricio, Texas
361-688-0109
redhawkbonsai@yahoo.com

Upcoming Bonsai Events

April

April 6th

Bonsai and Booze
Bash at the
Preston's, 10:00am

April 6th

Kusamono
Workshop with
Young Choe at the
Preston's, 10:00am
& 1:00pm

April 11th

Club Meeting,
AUCTION!!!!,
Lion's Field 6:30pm

April 13th

BYOT
Workshop/Training
at Café College,
9:00am

April 25th-28th

Houston Bonsai
Convention

Monthly Tips, cont.

When inspecting for insects on trees, check all around the foliage or leaves. The best way to find the smallest of the attacking insects (Spider mites) is put you tree over a piece of white paper and tap on all the branches, this will knock off some of the little critters onto the paper, if you can mash/smear (ugh) the specks with your finger, then they need to be eradicated. If you see the webs, it might be too late. Spider mites are quite fond of plants with dense foliage such as junipers and cedars. Regular spraying of the foliage when you water, especially on junipers, can help prevent the little critters from taking up residence on your trees. The spider mites in particular don't care for damp environments and the spray will help knock some bugs off.

Having several species, **I try to treat on a preventive method** and use an insecticide, mite-icide and fungicide (all in one and can be mixed with fertilizer too) at least every 4 to 6 weeks during the growing season. If an infestation is found, treat accordingly. I use a couple of brands of systemic organophosphate insecticides.

My go-to's are.... Ferti-lome "Triple action is a good 3 n 1", Martin's "Cyonara" (recommended by Guy Guidry), another is Spectracide's "Immunox Plus", for instant KILL use any brand of Pyrethrin and for bougainvilleas Bayer Advance "Rose & Flower Care". Look for an insecticide/fungicide that is labeled for Roses and will kill spider mites, it usually is OK for most bonsai.

Always wear protective gear (PPE) when using them! Always read and follow the labels!

For example, coming from a long-time user with these chemicals I have experienced...

- Do not use Neem oil on any type of elms, it will defoliate them and can kill them.
- Do not use Kelthane on any type of elms, it will defoliate them and can kill them.
- Do not use Malathion or Diazinon on Buttonwoods it can kill them.
- Do not use Neem oil on Boxwoods it can kill them.
- Do not use Disyston on Fukien Tea it can kill them.

“Ya gotta keep your guard up”. When you have a large variety of tree species with an even bigger variety of insects to attack them, just to name a few problems with bonsai down here in Texas:

- Spider mites can attack amazingly fast, and this happens all growing season. Has anybody lost a juniper or snow rose from spider mites? Most likely you have if you've been growing bonsai a while. Red spider mites will kill them almost before you can notice they are there. *“If you see the signs (webs) it's probably too late”*.
- Use Disyston on Cuban Laurel Thrips can and will attack several different types of Ficus during the growing season.
- Use Disyston on “The Bougie” little green looper worms that ONLY attack bougainvilleas during the summer.
- White flies, aphids, scale, grubs, and snails (not insects, but still a pest) come and go during our growing season.

President's Message (cont.)

monthly meetings, attending the lecture/demonstrations, bringing items for our raffle in April, and attending the workshops we put together. We have great workshop opportunities over the next two months that our Program Director and VP Gabe H. will talk about and provide details to in this newsletter.

Remember, the grass is not greener on the other side, it's greener where YOU water it! Peace, and may all your trees find good health and long-lasting life.

Vice-President's Message (cont.)

The first workshop will be on Thursday April 4th at the Lions Field. The other two workshops will take place on Saturday April 6th at Hattie and Kevin's home during the **Bonsai and Booze Bash!** That's right! We are partying with Young! Please feel free to bring a side dish or dessert by signing up at SignUp Genius and noting your dish.

But there is more... We will be having a spring auction on April 11th at the Lions Field. We will send out information to fill out if you are going to auction off trees, pots, books, tools etc... This is a good time to clean out and buy new material. An attachment will be included in the April newsletter so you can fill out information if you are going to be selling. The split is 80% / 20% (seller/SABS). We take cash, checks, cards, and Venmo. Come early to check out the trees you will be bidding on!

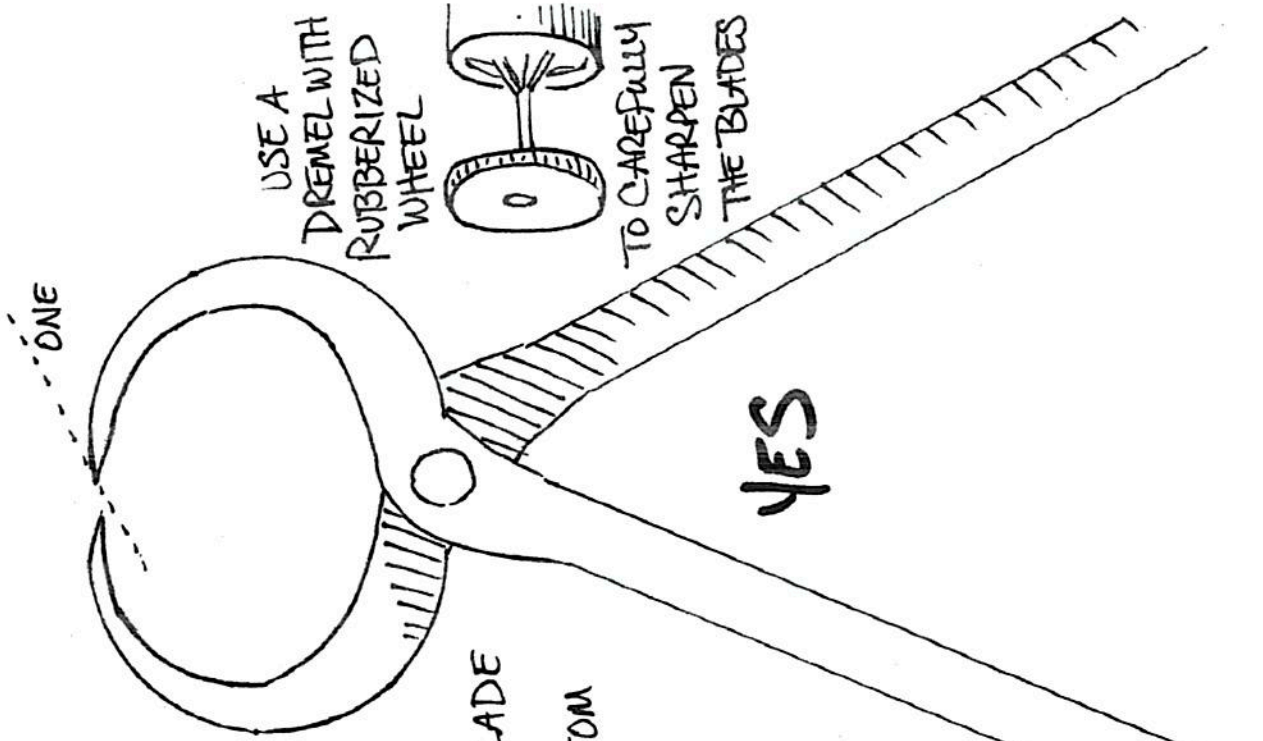
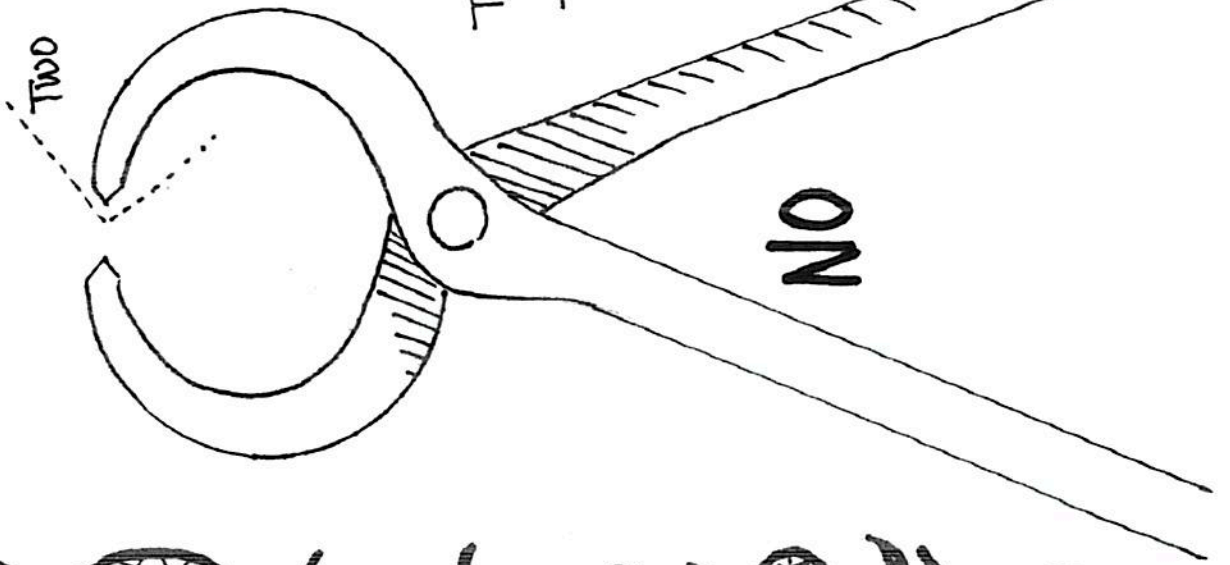
Lastly Houston will be hosting **Bonsai on the Bayou** with major guest artist on April 25-28. Attend a workshop, see what the vendors are offering or just make friends with other bonsai members from our sister clubs. This will be great opportunity to buy trees, stands and pots!

Other News

- **SABS has discontinued the Bonsai Workshops on the 4th Wednesday of each month in lieu of workshops on the 2nd Saturday of each month, at Café College**
- **2025 Bonsai Convention** - LSBF (Lone Star Bonsai Federation) has approved the collaboration of SABS and CCBS (Corpus Christi Bonsai Society) to join forces and host the 2025 Bonsai Convention, following the retraction of Dallas' original request for 2025. David W. and I have provided preliminary ideas to LSBF including a Fall 2025 convention in Corpus, convention/hotel location, and a few workshop categories. We will be putting together a joint convention committee, from both Clubs, soon. Please let me, Ryan O., know if you are interested in joining this committee. We will need volunteers for Secretary, Registration, Exhibit Chairperson, Treasurer, Raffles Chairperson, Workshop Chairperson, Vendors Chairperson, Food/Beverage Chairperson, and Advertising Chairperson. David W. and I are both Co-Convention Chairmen.
- **The Lion's Field will be asking every attendee to register with the City of San Antonio prior to entering the Lion's Field for our next on-site meeting. Please arrive earlier than normal to complete this paperwork.**
- Upcoming events:
 - **Evan Pardue Workshop** - *WORKSHOP IS FULL*
 - **Bonsai and Booze Bash** - <https://www.signupgenius.com/go/10C0B4BA8AF2CA1FF2-beer>
 - **Young Choe Kusamono Workshops** - <https://www.signupgenius.com/go/10C0B4BA8AF2CA1FF2-kusamono>

GRIND ONLY A SINGLE BEVEL

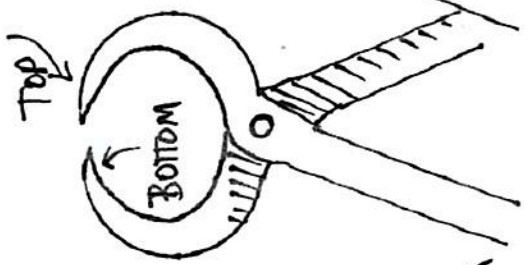
OUTTERS



USE A DREMEL WITH RUBBERIZED WHEEL TO CAREFULLY SHARPEN THE BLADES

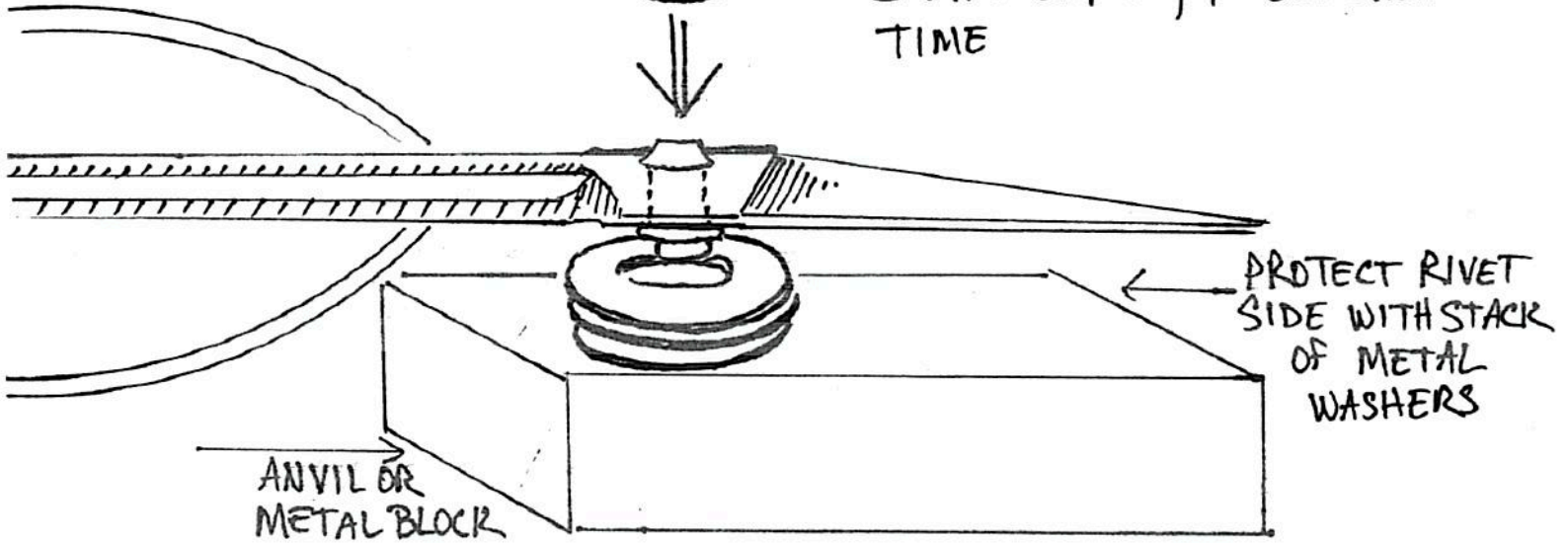
IMPORTANT

ONLY SHARPEN THE TOP OF THE TOP BLADE
THE BOTTOM OF THE BOTTOM BLADE



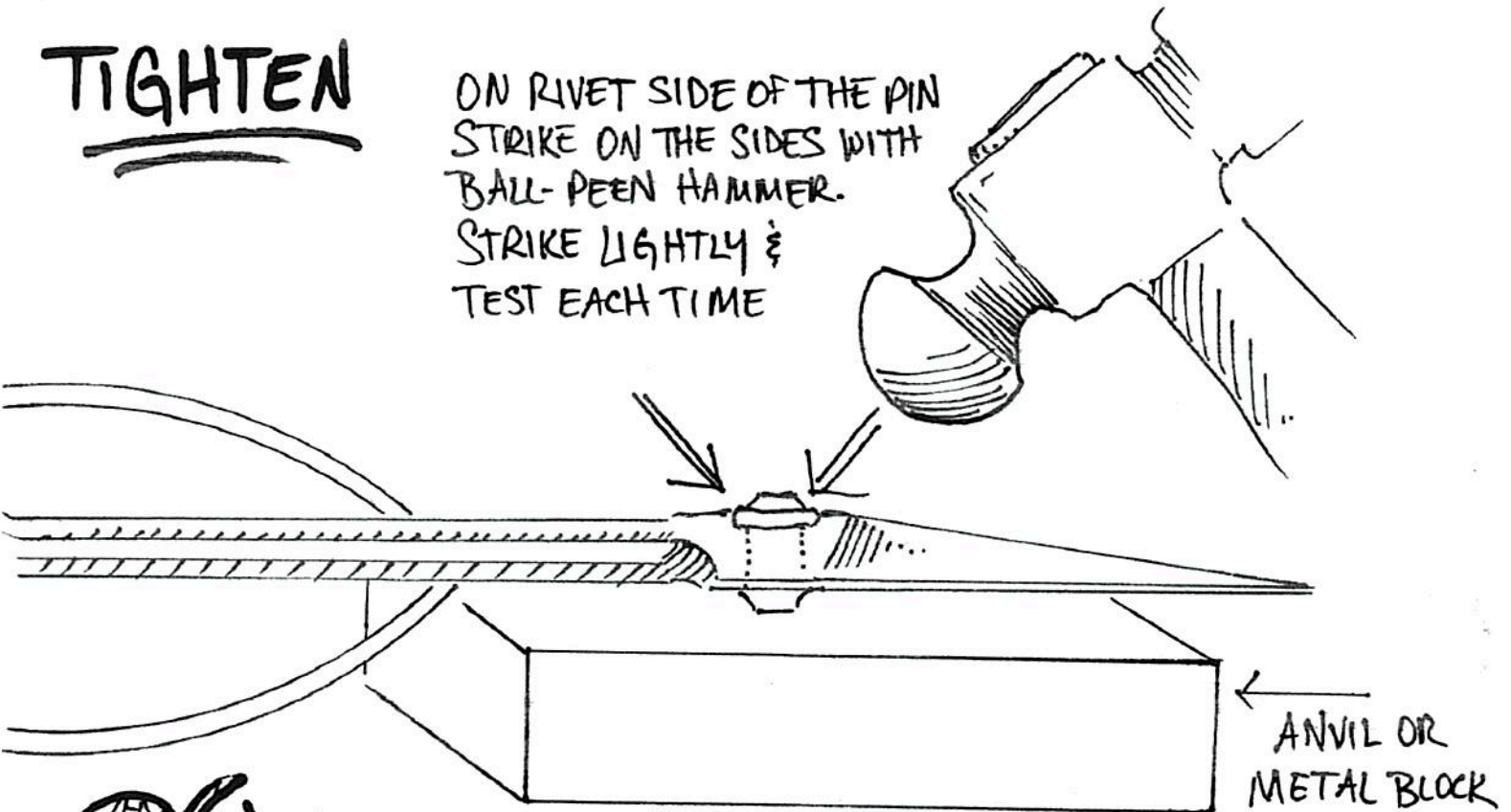
LDDSEN

ON FUSED SIDE OF THE PIN,
STRIKE STRAIGHT DOWN WITH
BALL PEEN HAMMER
STRIKE LIGHTLY & TEST EACH
TIME



TIGHTEN

ON RIVET SIDE OF THE PIN
STRIKE ON THE SIDES WITH
BALL-PEEN HAMMER.
STRIKE LIGHTLY & TEST EACH
TIME



SHIMMERS



San Antonio
Bonsai Society,
Inc. (SABS)

All correspondence
should be
addressed to:

San Antonio
Bonsai Society,
Inc.

27925 Bonn
Mountain

San Antonio,
Texas, 78260

The informal upright style (Moyogi) is considered the most popular shape in all bonsai, especially suited to our native Ashe Juniper.

Our logo, represented by this informal style stands for the informal nature of the San Antonio Bonsai Society, Inc. This popular, interesting style depicts the objectives of the Society - promoting participation and enjoyment of Bonsai.

The emblem was adopted as the official logo in September 1977.

For additional information please visit SABS at

Website: Sanantoniobonsai.org

Facebook: [@sanantoniobonsai](https://www.facebook.com/sanantoniobonsai)

Instagram: [@sanantoniobonsai](https://www.instagram.com/sanantoniobonsai)

Annual Membership Due:

| | |
|--------------------------|------|
| Individual | \$30 |
| Family | \$50 |
| Senior (65+) Individual: | \$25 |
| Senior (65+) Family: | \$40 |
| Individual Nametag: | \$15 |

The San Antonio Bonsai Society, Inc. is a member of the Lone Star Bonsai Federation, Inc., Bonsai Clubs International, and the American Bonsai Society.

SABS is a non-profit 501c (3) organization.

Newsletter editor: Ryan O. at bonsaiode@gmail.com

Advertising for SA Bonsai News is based on the minimum size of 3" by 2" for \$35 per year. Single ads of the above size can be run for \$5. Ads must be camera ready. The Editor must receive changes in existing ads by the 20th of the month preceding the month of publication. Send ads and payment to San Antonio Bonsai Society, Inc., Attn: Advertising, 27925 Bonn Mountain, San Antonio, Texas, 78260. For situations other than the above, please contact the Editor, bonsaiode@gmail.com. Original articles from SA Bonsai News may be reprinted only in their entirety. Full credit must be given the author and to SA Bonsai News.